



3.2 Megapixels

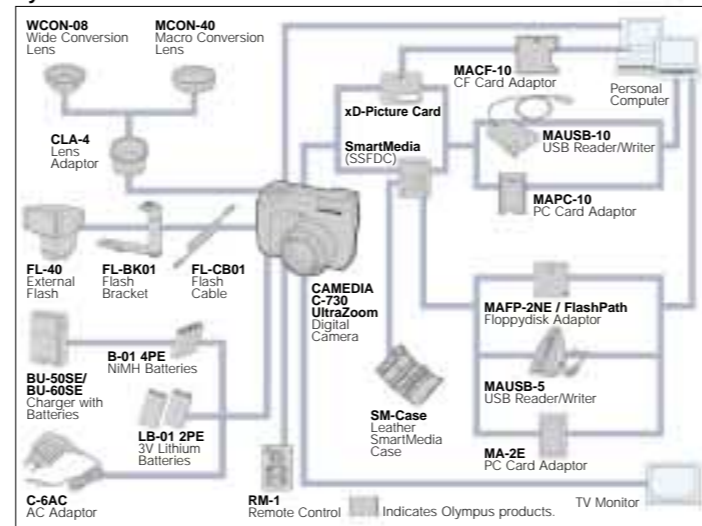
3.2 Megapixel Image Quality

The pure strength of 3.2 effective megapixels lets you photograph pristine pictures with incredible sharpness. Image size can be selected from 2048x1536 pixels to 640x480 pixels. For crystal-clear large prints, the Enlarge Size setting can enhance image size to 3200x2400 pixels.



Image Taken with the CAMELIA C-730 Ultra Zoom (T4, 1/1000 sec., 2048 x 1536 pixels/SHQ)

System Chart



Optional Accessories

WCON-08 Wide Conversion Lens Shortens the focal length by 0.8 times.	CLA-4 Lens Adaptor Required for attaching WCON-08 or MCON-40 to the camera.	FL-BK01 Flash Bracket For connecting the FL-40 External Flash to the camera.	BU-50SE (Quick Charge)/BU-60SE Charger with Batteries Battery charger with 4 rechargeable nickel metal-hydrate batteries.	LB-01 2PE Lithium Batteries 2 powerful, long-life batteries for taking an extended number of shots.	MACF-10 CF Card Adaptor For reading of data in an xD-Picture Card on a computer with a CompactFlash card slot.	MAPC-10 PC Card Adaptor For reading of data in an xD-Picture Card/SmartMedia on a computer with a PC card slot.	MAUSB-5 USB Reader/Writer For high-speed reading or writing of data in a SmartMedia/CompactFlash on a computer with a USB port.	SM-Case Leather Case Holds 8 SmartMedia cards.
MCON-40 Macro Conversion Lens Enables shooting as close to the subject as 7cm in Macro mode or 2.9cm in Super Macro mode.	FL-40 External Flash High-power flash with GN 40 for TELE, 26 for WIDE. Requires FL-CB01 and FL-BK01 for connection.	FL-CB01 Flash Cable For connecting the FL-BK01 Flash Bracket to the camera.	B-01 4PE NiMH Batteries 4 rechargeable nickel metal-hydrate batteries.	C-6AC AC Adaptor For extended use of the camera.	MAUSB-10 USB Reader/Writer For high-speed reading or writing of data in an xD-Picture Card/SmartMedia on a computer with a USB port.	MAFP-2NE/FlashPath Floppydisk Adaptor For reading of data in a SmartMedia on a computer with a 3.5" FDD.	MA-2E PC Card Adaptor For reading of data in a SmartMedia on a computer with a PC card slot.	RM-1 Remote Control Conveniently use the camera from a distance.
xD-Picture Card Compact and removable memory card for storage convenience. 16MB - 128MB	3V(3.3V) SmartMedia Compact and removable memory card for storage convenience. 8MB - 128MB							

Olympus CAMELIA Master Pro Software



CAMELIA Master Pro

The easy-to-use software which accompanies your digital photography experience:

- Browse your images, create slideshows, convert slideshows to screensavers or movies, create HTML albums, edit your movies, rotate movies...
- All this and more with a user interface that minimizes mistakes.
- For Windows and Macintosh

→ If you already own CAMELIA Master 4.0 (delivered with every CAMELIA digital camera), upgrade your copy of CAMELIA Master online at <http://www.camedia-shop.com>.

CAMELIA C-730 Ultra Zoom Digital Camera Specifications

Recording system	Still image : TIFF/JPEG with DCF (Design rule for Camera File system) and DPOF (Digital Print Order Format) support Motion JPEG image : QuickTime Motion JPEG support Audio : Wave format support
Memory	xD-Picture Card (16 - 128MB), 3V (3.3V) SmartMedia (4 - 128MB)
No. of effective pixels	3.2 megapixels
Image pickup element	1/2.7 inch CCD solid-state image pickup device, total 3.3 megapixels
Recording image sizes & approx. no. of storable frames (When using a 16MB xD-Picture Card)	2048x1536 pixels - TIFF : 1, SHQ : 8, HQ : 20 2048x1360 pixels (3:2) - TIFF : 1, SHQ : 8, HQ : 22 1600x1200 pixels - TIFF : 2, SQ1 (High) : 11, SQ1 (Normal) : 32 1280x960 pixels - TIFF : 4, SQ1 (High) : 17, SQ1 (Normal) : 49 1024x768 pixels - TIFF : 6, SQ2 (High) : 26, SQ2 (Normal) : 76 640x480 pixels - TIFF : 16, SQ2 (High) : 66, SQ2 (Normal) : 165 3200x2400 pixels (Enlarge Size) - SHQ : 2, HQ : 8
Lens	Olympus lens 5.9 - 59mm, F2.8 - 3.5, 10 elements in 7 groups (equivalent to 38 - 380mm on a 35mm camera)*
Digital Zoom mode	1 - 3X (up to 30X with 10X optical zoom)*
Photometric system	Digital ESP light metering, Spot light metering, Multi-Spot metering
Sensitivity	Auto, and settings equivalent to approx. ISO 100, 200, 400
Exposure control	Programmed auto, Aperture-priority and Shutter-priority exposure modes Aperture-priority : Wide : F2.8 - 8 / Tele : F3.5 - 8 Shutter-priority : 1 - 1/1,000 sec. (used with mechanical shutter) Manual exposure mode : 16 - 1/1,000 sec. Scene Programmes : Portrait, Sports, Landscape Portrait, Landscape, Night Scene, Self Portrait AE lock : available except with Manual exposure mode. Histogram in shooting mode Motion JPEG Image mode : 1/30 - 1/10,000 sec.
Focusing	TTL system iESP/spot/fulltime autofocus : Normal mode : 0.6m - ∞ (Wide), 2.0m - ∞ (Tele) Macro mode : 0.1 - 0.6m (Wide), 1.2 - 2.0m (Tele) Super Macro mode : up to 0.04m (focal length fixed) Manual focus : 0.1m - ∞
White balance	ESP full auto TTL, One-Touch, Preset (daylight, overcast, tungsten, fluorescent light)
Sequence mode	Normal speed : up to 11 pictures at 1.2 frames per second in HQ mode High speed : up to 3 pictures at 2.4 frames per second in HQ mode (excluding TIFF and Enlarge Size in SHQ)
Motion JPEG image recording (When using a 16MB xD-Picture Card)	Without sound : approx. 48 sec. 320 x 240 pixels (HQ mode), 211 sec. 160 x 120 pixels (SQ mode) / With sound : approx. 46 sec. 320 x 240 pixels (HQ mode), 186 sec. 160 x 120 pixels (SQ mode)
Special functions	2-in-1 images, Black & White, Sepia, White Board, Black Board
Image editing	Resize, Trimming
Viewfinder	1.1cm TFT colour EVF, approx. 180,000 pixels
LCD monitor	3.8cm low-temperature polysilicon TFT colour LCD display, approx. 114,000 pixels
Charging time for flash	Approx. 6 sec. (at normal temperature with new batteries)
Flash working range	Wide : Approx. 0.1 - 5.5m/Tele : Approx. 1.2 - 4.4m (ISO100)
Flash modes	Auto (automatic flash activation in low light and backlight), Red-Eye Reducing, Off (no flash), Fill-In (forced activation), 1st/2nd Curtain Slow Synchronisation, 1st Curtain Slow Synchronisation + Red-Eye Reducing Flash intensity control : available in 1/3EV stops within ±2EV
Selftimer	Electronic, Selftimer with 12-sec. delay
Outer connectors	DC-IN jack, USB connector (Storage-Class), AV output connector, External flash connector
Calendar system	Up to 2099, recorded with picture data simultaneously
Power supply	Two CR-V3 lithium battery packs/Olympus LB-01 2PE, or four AA (R6) NiMH batteries, NiCd batteries, Alkaline manganese batteries or lithium batteries. (Zinc-carbon batteries cannot be used.) Optional AC Adaptor.
Dimensions	107.5 (W) x 76 (H) x 77.5 (D) mm (excluding protruding parts)
Weight	310g (without batteries/card)

* Using a tripod is recommended during super-telephoto shooting.
* QuickTime is a trademark of Apple Computer, Inc.
* All other company and product names are registered trademarks and/or trademarks of their respective owners.
* The pictures (shown in this catalogue) of the LCD and PC monitors are simulated.
* Specifications and appearances are subject to change without any notice or obligation on the part of the manufacturer.

CAMELIA C-720UltraZoom

- 8X Optical Zoom & 24X Zoom With 3X Digital Zoom
- 3.0 Megapixel Image Quality



Zoom Digital Compact Camera

CAMELIA
C-730UltraZoom

NEW



You will see more with
ULTRA ZOOM

Ultra Zoom – Uncover The Excitement And Hold On Tight



5.9 mm (38 mm)



16.5 mm (106 mm)



21.7 mm (140 mm)



59 mm (380 mm)



177mm with 3X Digital Zoom (1140mm)

The numbers in the brackets show the focal length of a 35mm camera.

1X

10X

Don't be surprised when amazing sights appear with the CAMEDIA C-730 Ultra Zoom — its 10X optical zoom, 30X with Digital Zoom, and precise macro functions open up a world you never knew. The sharp bright lens with accurate focusing and the powerful 3.2 megapixels capture any situation with exceptional clarity. You can also record your excitement in a variety of ways, with full auto, multiple manual settings, Scene Programmes, long movies, and much more. Catch the unexpected – With the CAMEDIA C-730 Ultra Zoom.

10X Optical Zoom

10X Optical Zoom & 30X Zoom With Digital Zoom
The CAMEDIA C-730 Ultra Zoom's unbelievably compact body features an F2.8-3.5, 10X optical zoom lens with a focal range of 5.9-59mm*. You can shoot wide landscapes, subjects you can't get physically close to, and much more, breaking down the barriers to your creativity. Plus, with 3X Digital Zoom, you can enjoy breathtaking 30X super-telephoto shooting**.

* Equivalent to 38-380mm on a 35mm camera.
**Equivalent to 1140mm on a 35mm camera. Images may be grainy in Digital Zoom.



With Super Macro Mode

Super Macro

Macro & Super Macro Modes
You can shoot with the camera as close to the subject as 10cm in Macro mode, or even 4cm in Super Macro mode. This allows incredible close-ups of flowers, insects, and more.

Several Situation Options

A Variety Of Shooting Modes



In addition to full auto, other shooting modes include P & A/SM exposure, versatile Scene Programme, My Mode, and Motion JPEG. You can quickly switch among shooting modes with the Mode Dial. **Full Auto:** The camera shoots beautiful pictures automatically. All you have to do is push the shutter button. **P & A/SM:** Programme AE, Aperture Priority AE, Shutter Priority AE, and Manual let you choose how exposure is controlled. **Scene Programme:** Portrait, Sports, Landscape Portrait, Landscape, Night Scene, and Self Portrait modes let you shoot superb pictures customized for the situation.



Portrait
Portrait-style images of people against a blurred background. Skin tones are reproduced clearly and naturally.

Sports
Action moments without blur, using a high-speed shutter.



Landscape Portrait
Both the foreground and background are beautifully in focus. Good for shooting people in front of landscapes.

Landscape
Sharp pictures of sweeping landscapes. Especially vivid blues and greens let the beauty of nature stand out even more.



Night Scene
A slower shutter speed than normal captures the scattered lights of night scenes distinctly*. A tripod is recommended.

Self Portrait
Quality photos of yourself while holding the camera. Focus locks on you and complexions appear realistic.

My Mode: You can create up to 4 personal combinations of settings for quicker shooting the way you like.
Motion JPEG: Recording time is now incredibly long. With a 128MB xD-Picture Card or SmartMedia, you can record movies without sound for almost 30 minutes in SQ mode. With the included 16MB xD-Picture Card, image and sound recording for up to 46 seconds in HQ mode (320x240 pixels) or 186 seconds in SQ mode (160x120 pixels) is possible.



Motion JPEG Image Recording

Flexible Shooting

Accurate Focusing

The Olympus original TTL iESP (Intelligent Electro-Selective Pattern) autofocus system allows quick accurate focusing. In addition, spot autofocus to focus on the centre of the viewfinder, fulltime autofocus, and manual focus are available. You can also conveniently shift the focus area on the viewfinder 2 positions up, down, right, or left from centre (9 positions overall), without moving the camera.

2 Light Metering Systems

Digital ESP (Electro-Selective Pattern) light metering sets the appropriate exposure, even under difficult lighting conditions. Spot light metering allows up to 8 different multi-spot readings. AE lock is also possible.

Exposure Compensation & Auto Bracketing

±2EV compensation in 1/3EV stops is possible. With auto exposure bracketing*, images can be taken sequentially with 3 or 5 different exposures in 1/3, 2/3, 1EV stops within ±2EV.

* Excluding TIFF, Enlarge Size in SHQ, and Noise Reduction

Histogram

When shooting, you can check the brightness and contrast of the subject in your LCD monitor by using a histogram. This gives you more precise exposure control. You can also display a histogram when playing back recorded pictures.



Histogram Display

A Variety Of White Balance Settings

Auto, Preset, and One-Touch white balance are available. iESP (Intelligent Electro-Selective Pattern) Auto automatically takes shots with the appropriate white balance and skin tones are reproduced clearly and naturally. Preset lets you set the white balance for daylight, overcast, tungsten, or fluorescent light. One-Touch lets you create even more precise white balance by pointing the camera at a nearby white object. You can also make fine adjustments between -7 (red) and +7 (blue).

Other Smart Functions

Noise Reduction

For clearer images, this function reduces the noise that can appear during long exposures.

2-In-1 Images

You can combine a shot with the one taken right after for interesting composite photos.



100% Field-Of-View Viewfinder & LCD Monitor

100% field-of-view means that whatever you see through the viewfinder or monitor is captured precisely. You can also check the focus through both of them. Images can be viewed on the monitor immediately after they are shot. You can also play back images by pushing the LCD monitor button twice, without having to change to playback mode. Diopter adjustment can be easily done using the dial next to the viewfinder.

xD-Picture Card & SmartMedia

Images are saved to up to a 128MB xD-Picture Card or SmartMedia, making them convenient to carry and store. By using Olympus versions of these memory cards, you can turn pictures taken with this camera into panoramas with the included utility software. A 16MB xD-Picture Card is included.



xD-Picture-Card

USB AutoConnect

Simply connect the included USB cable from the camera to your computer, then download your images. You can also transfer images using the optional USB Reader/Writer, PC card adaptor, CompactFlash card adaptor, or floppydisk adaptor.



And More ...

- 1 Auto & Preset Sensitivity Settings (ISO 100, 200, 400)
- 1 Versatile Built-In Flash & Powerful Optional External Flash
- 1 Quick Sequence Shooting: Up To 11 Shots At 1.2 Frames Per Sec. (HQ mode)
- 1 Sharpness, Contrast, & Saturation Settings
- 1 Picture Effects: Black&White, Sepia, White Board, Black Board
- 1 Image Editing: Resize, Trimming
- 1 AV Cable Included For TV Display
- 1 Menu Language Options: English, French, German, Spanish

All the sample shots in this catalogue were taken with the CAMEDIA C-730 Ultra Zoom.

